



“The Best in Condensate Management”

Zero Loss Demand Drain

External Pneumatic Operated Large Volume Condensate Drain

Robo-Drain RD13



A fully automatic, large volume, zero loss drain that requires no electricity.

Translucent reservoir for visual assurance of operation.

Ideal for Oil/Water Separators.

Features

Huge 72 oz. capacity
Isolated trigger assembly

Non clogging
Low profile
Translucent reservoir

Full port drain valve
Fully pneumatic
Automatic design

Made in the USA

Benefits

Designed for larger compressor installations
Reliable design – unaffected by contaminants

Saves valuable air. Saves money
Fits in tight spots

Easy-to-see condensate level
“Quick check”

Handles scale and rust without clogging
No electricity required
Operates on demand

Model No. RD13

Specifications

Inlets: (2) 3/4" NPT

Outlet: 1/2" NPT

Power: Clean, Dry Compressed Air
80 to 130 PSI

Pressure: 0 to 250 PSIG

Operating Temperature: 32° to 180° F.

Weight: 22 lbs.

Discharge: 72 ounces per cycle

Capacity: 6600 SCFM at aftercooler*

*Capacity may be more or less depending on application

Materials

Reservoir: Aluminum and Composite

Valve: Bronze w/S.S. Ball and Stem

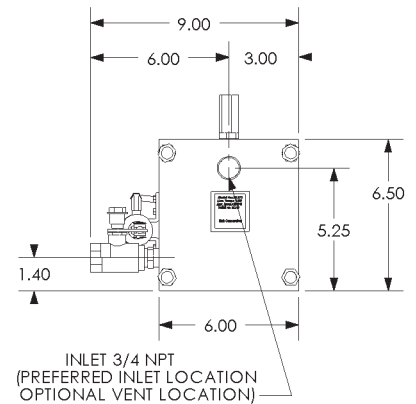
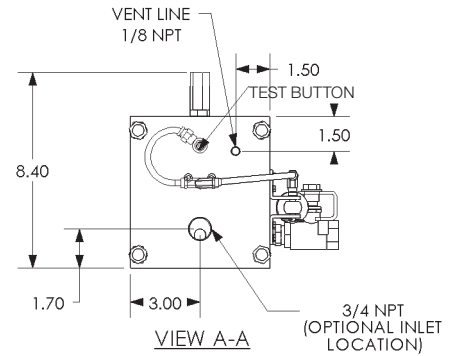
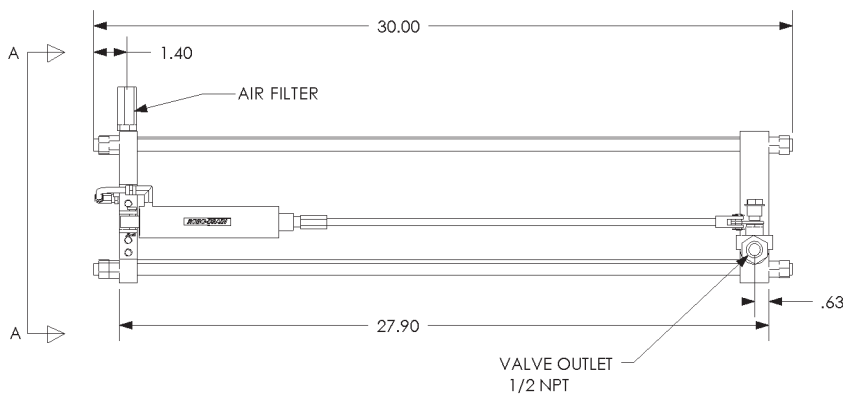
Float: Stainless Steel

Seat: Stainless Steel

Seal: Viton®*

Consult factory for additional Options

Dimensions



How It Works

Condensate enters the drain through one of two inlet connections. As condensate is collected and the translucent reservoir fills, a stainless steel float mechanism rises. When the condensate reaches a design level, the float mechanism actuates an isolated magnetic trigger assembly. The trigger assembly directs control air to the valve actuator, which in turn opens a full-port drain valve.

Condensate will then exit the unit. As the float drops, the trigger assembly closes the control air line and the valve actuator closes the ball valve. The drain is then returned to the collection mode.



AIR SYSTEM PRODUCTS, INC.

51 Beach Ave.
Lancaster, NY 14086
Phone: 716.683.0435
Fax: 716.683.7128
Email: info@airsyspro.com
www.airsyspro.com

All design specifications are subject to change without notice.

* Viton is a registered trademark of Dupont Dow Elastomers.

Bulletin RD13 01/13