



“The Best in Condensate Management”

Zero Loss Demand Drain

Internal Pneumatic Operated Condensate Drain

EZ-12



A fully automatic plug and play design, zero loss drain that requires no external power utility.

Translucent reservoir for visual assurance of operation.

Features

Plug and play design

Internally powered

Compact design

Non clogging

Translucent reservoir

Simple trigger assembly

Full port ball valve

Versatile for many applications

Made in the USA

Benefits

Easy to install

No external power utility

Can be installed in a tight space

No strainers to clean

Easy-to-see condensate level
“Quick check”

Ensures a positive action, preventing air loss

Provides rapid discharge and avoids
pluggage by contaminants

Can be used for aftercoolers, receivers,
dryers, filters, or drip legs

Model No. EZ-12

Specifications

Inlets: (2) 1/2" NPT

Outlet: 3/8" NPT

Power: No External Power Required

Pressure: 0 to 200 PSI

Operating Temperature: 33° to 180° F.

Weight: 8 lbs.

Discharge: 12 ounces per cycle

Materials

Reservoir: Composite

Heads: Aluminum

Valve: Bronze w/S.S. Ball and Stem

Float: Stainless Steel

Seal: Viton®*

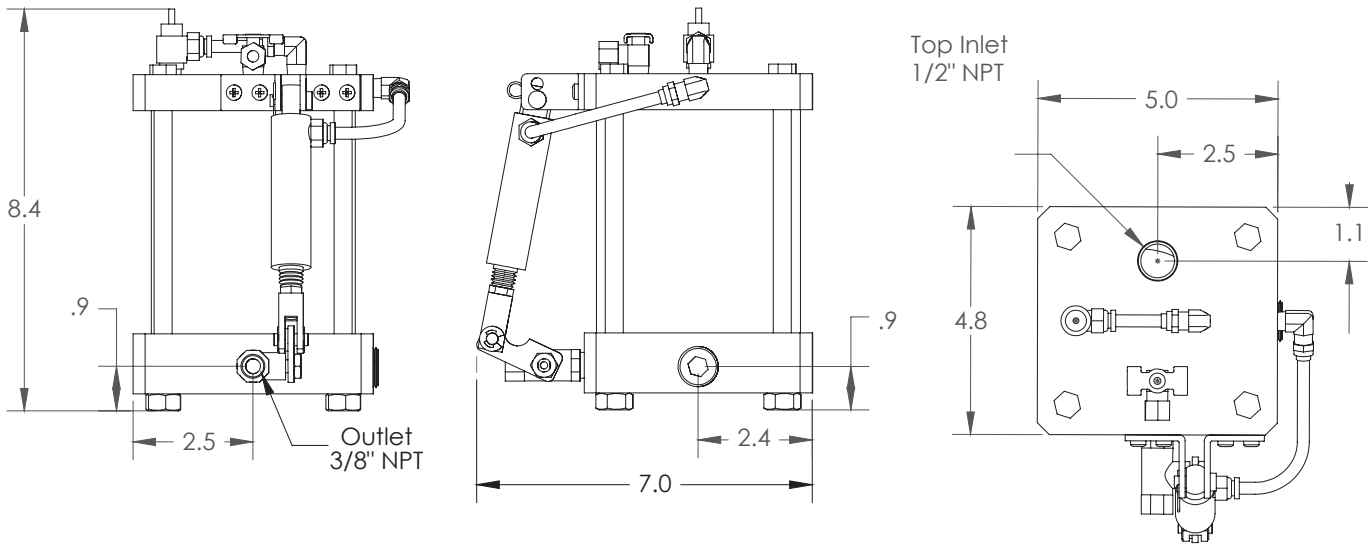
How It Works

Condensate enters the drain through one of two inlet connections. A stainless steel float is attached to a lever arm. Attached to the other side of the lever arm is a filter protected poppet assembly. As condensate is collected and the translucent reservoir fills, a stainless steel float mechanism rises. When the condensate reaches a design level, the float mechanism actuates a poppet assembly. The poppet assembly directs control air to the valve actuator, which in turn opens a full-port drain valve.

Condensation will then exit the unit. As the float drops and the poppet seal closes, the control air line and the valve actuator closes the ball valve. The drain is now ready to accept condensate again.

Consult factory for additional Options

Dimensions



AIR SYSTEM PRODUCTS, INC.

51 Beach Ave.

Lancaster, NY 14086

Phone: 716.683.0435

Fax: 716.683.7128

Email: info@airsyspro.com

www.airsyspro.com

All design specifications are subject to change without notice.

* Viton is a registered trademark of Dupont Dow Elastomers.

Bulletin EZ-12 01/13