

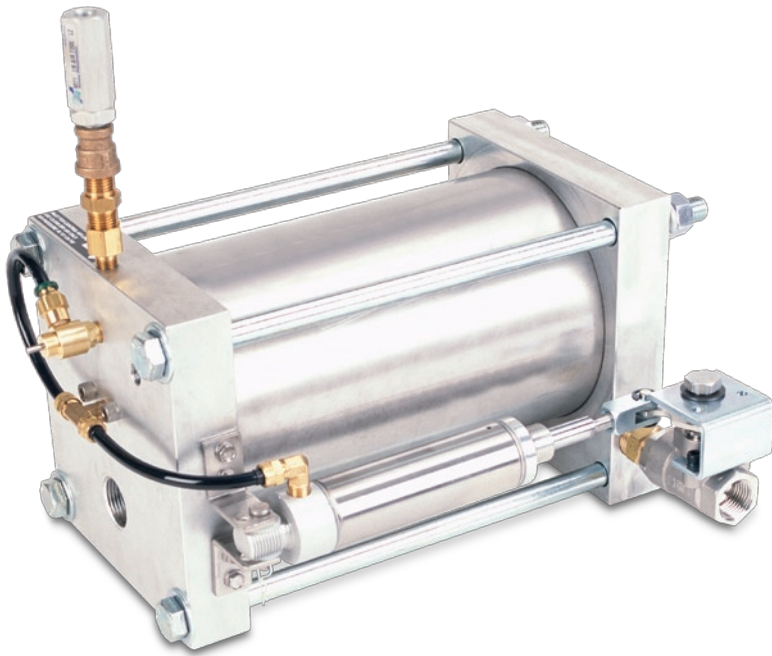


“The Best in Condensate Management”

Zero Loss Demand Drain

External Pneumatic Operated High Pressure Condensate Drain

Robo-Drain RD750



A fully automatic, high pressure, zero loss drain that requires no electricity.

Durable stainless steel reservoir.

Ideal for systems to 750 PSI.

Features

Rated to 750 PSI

Isolated trigger assembly

Non clogging

Low profile

Stainless steel reservoir

Full port drain valve

Fully pneumatic

Automatic design

Made in the USA

Benefits

Ideal for high pressure compressor installations

Reliable design – unaffected by contaminants

Saves valuable air. Saves money

Fits in tight spots

Durable for high pressure capacity

Handles scale and rust without clogging

No electricity required

Operates on demand

Specifications

Inlets: (2) 3/4" NPT

Outlet: 1/2" NPT

Power: Clean, Dry Compressed Air
80 to 130 PSI

Pressure: 0 to 750 PSI

Operating Temperature: 32° to 180° F.

Weight: 22 lbs.

Discharge: 24 ounces per cycle

Materials

Reservoir: 304 Stainless Steel

Valve: Stainless Steel w/S.S. Ball and Stem

Float: Stainless Steel

Seat: Stainless Steel

Seal: Viton®*

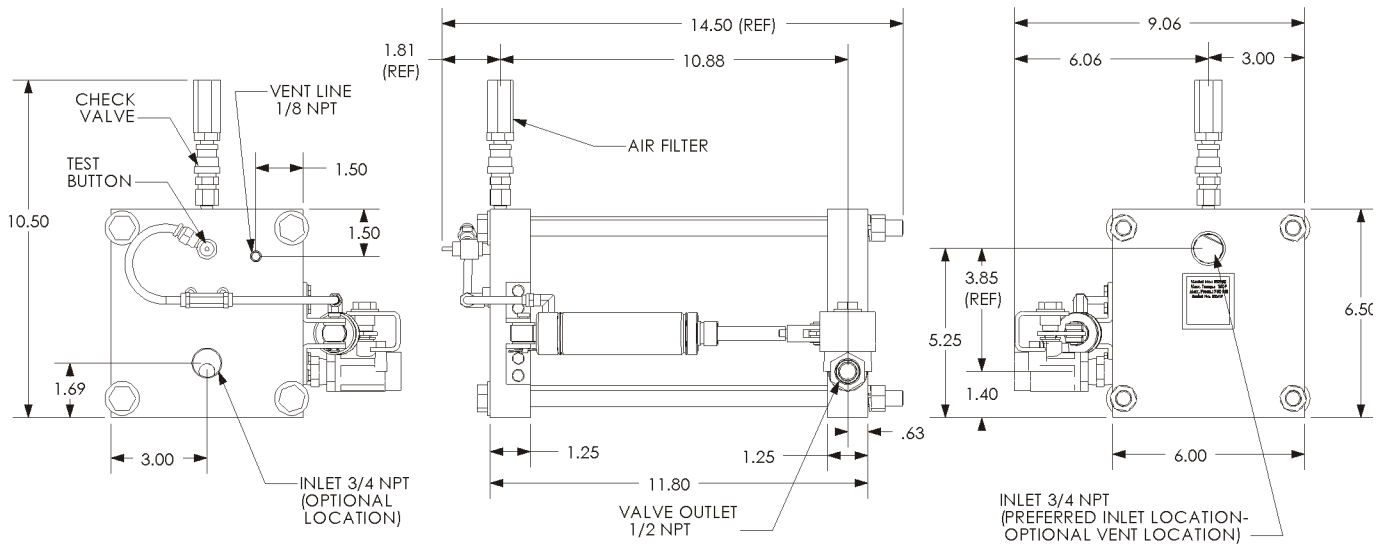
Consult factory for additional Options

How It Works

Condensate enters the drain through one of two inlet connections. As condensate is collected and the translucent reservoir fills, a stainless steel float mechanism rises. When the condensate reaches a design level, the float mechanism actuates an isolated magnetic trigger assembly. The trigger assembly directs control air to the valve actuator, which in turn opens a full-port drain valve.

Condensate will then exit the unit. As the float drops, the trigger assembly closes the control air line and the valve actuator closes the ball valve. The drain is then returned to the collection mode.

Dimensions



AIR SYSTEM PRODUCTS, INC.

51 Beach Ave.

Lancaster, NY 14086

Phone: 716.683.0435

Fax: 716.683.7128

Email: info@airsyspro.com

www.airsyspro.com

All design specifications are subject to change without notice.

* Viton is a registered trademark of Dupont Dow Elastomers.

Bulletin RD750 01/13