



“The Best in Condensate Management”

Zero Loss Demand Drain

External Pneumatic Operated Condensate Drain

## Dehydra 52 & 52C



A fully automatic plug and play design, zero loss drain that requires no electricity.

Translucent reservoir for visual assurance of operation.

### Features

---

Plug and play design

---

Fully pneumatic

---

Compact design

---

Non clogging

---

Translucent reservoir

---

Simple trigger assembly

---

Full port ball valve

---

Versatile for many applications

---

**Made in the USA**

### Benefits

---

Easy to install

---

No electricity required

---

Can be installed in a tight space

---

No strainers to clean

---

Easy-to-see condensate level  
“Quick check”

---

Ensures a positive action, preventing air loss

---

Provides rapid discharge and avoids  
pluggage by contaminants

---

Can be used for aftercoolers, receivers,  
dryers, or filters

---

## Model No. Dehydra 52 & 52C

### Specifications

Inlets: (2) 1/2" NPT

Outlet: 1/2" NPT

Power: Clean, Dry Compressed Air  
50 to 120 PSI

Pressure: 0 to 200 PSI (52C) • up to 450 (52)

Operating Temperature: 33° to 180° F.

Weight: 16 lbs. (52C) • 19 lbs. (52)

Discharge: 52 ounces per cycle

### Materials

Reservoir: Composite

Heads: Composite (52C) • Aluminum (52)

Valve: Bronze w/S.S. Ball and Stem

Float: Poly (Stainless Available)

Seal: Viton®\*

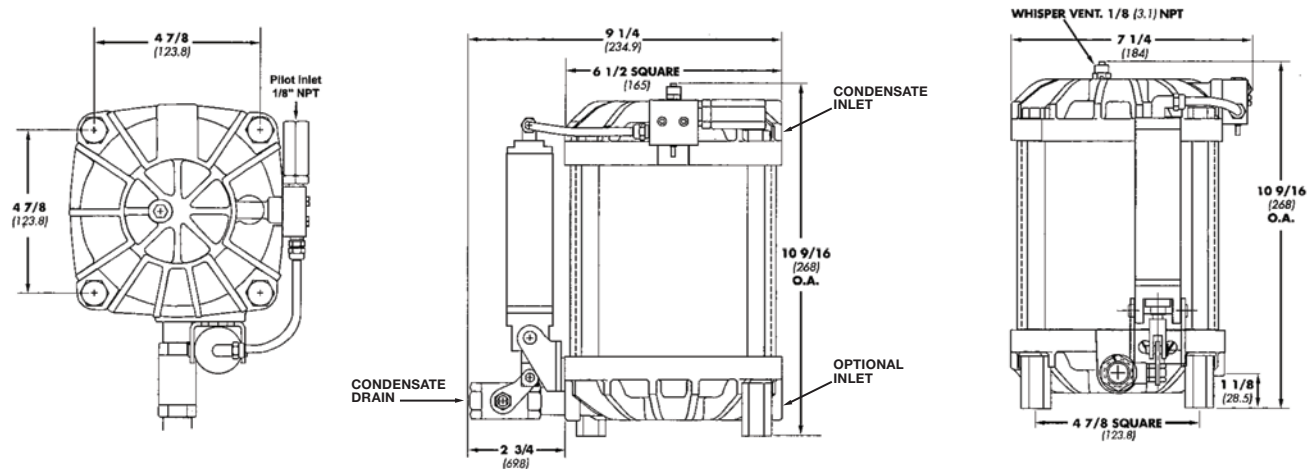
Consult factory for additional Options

### How It Works

Condensate enters the drain through one of two inlet connections. A non-metallic float is tethered to a float arm. As condensate is collected and the translucent reservoir fills, the float rises. When the condensate reaches a design level, the float lifts the trigger assembly and a drain cycle is initiated. The trigger assembly opens and directs control air to the valve actuator, which in turn opens the full-port drain valve.

Condensate will then exit the unit. As the condensate level drops, the trigger assembly closes and the valve actuator closes the drain valve. The drain is returned to a standby condition.

### Dimensions



AIR SYSTEM PRODUCTS, INC.

51 Beach Ave.

Lancaster, NY 14086

Phone: 716.683.0435

Fax: 716.683.7128

Email: info@airsyspro.com

www.airsyspro.com

All design specifications are subject to change without notice.

\* Viton is a registered trademark of Dupont Dow Elastomers.

Bulletin Dehydra 52/52C 01/13